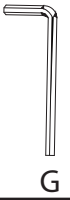
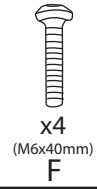
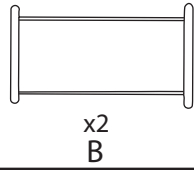
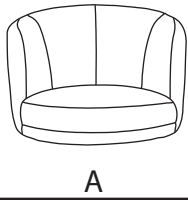


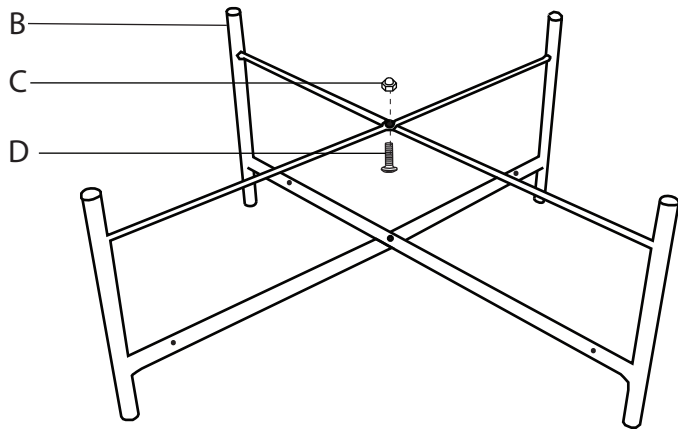
Part # CHR-CHLOE XXXX

19-1129

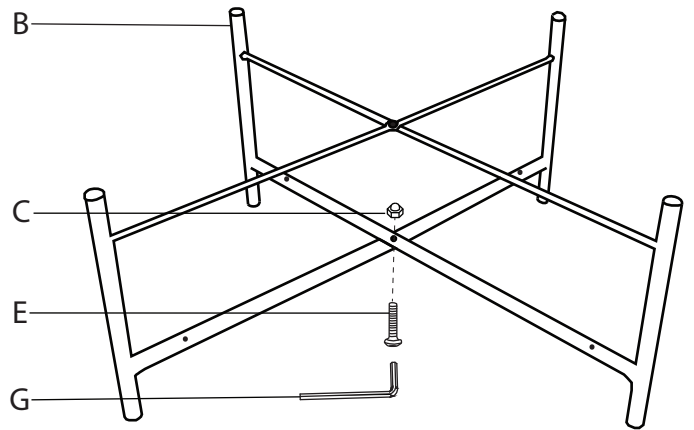
**PARTS**



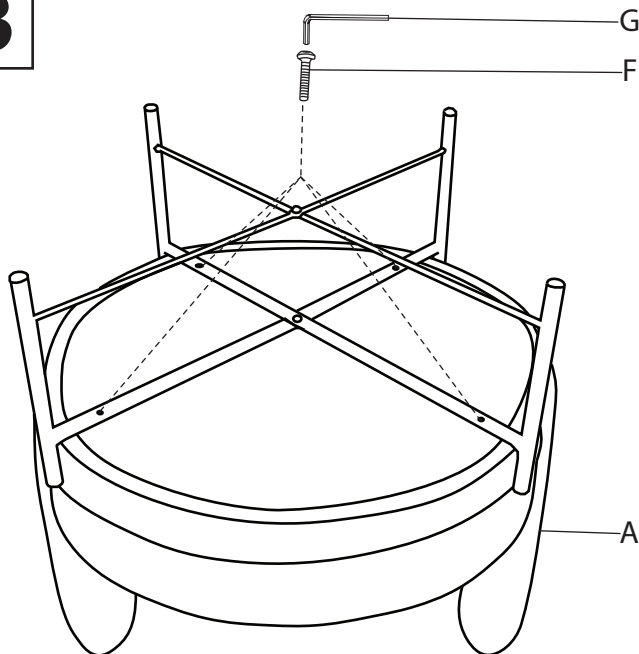
**1**



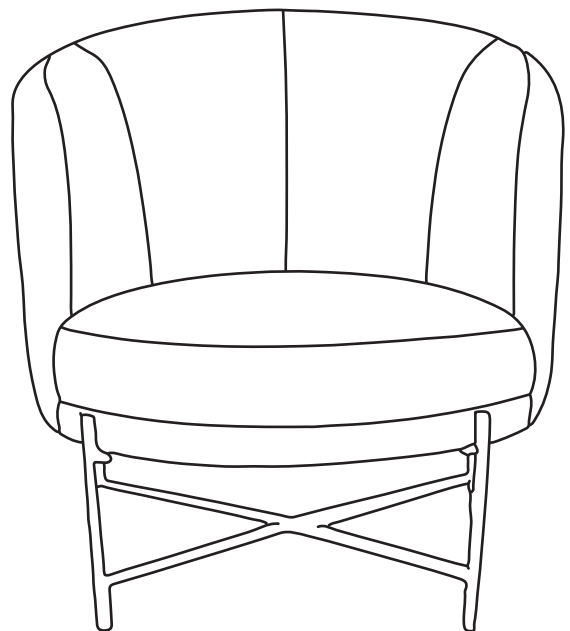
**2**



**3**



**4**



Do not over tighten.  
 Do not use power tools to assemble.